



# E6-CR 362J

## Direct Roving For LFT

362J Direct Roving is specially designed for long fiber-glass thermoplastic (LFT) process and compatible with modified PP resin. 362J is designed for LFT-D(Long Fiberglass Reinforced Thermoplastics Direct/In-Line Compounding)、LFT-G(granulate) process and widely used in automotive, construction, sports, electric and electronic applications.

### Product Features

- ◎ Good dispersion
- ◎ Good abrasion resistance and low fuzz
- ◎ Good compatibility with PP resin
- ◎ Excellent mechanical properties of the finished composite product

### Identification

Glass Type	E6CR
Type of Sizing	Silane
Sizing Code	362J
Linear Density,tex	2400
Filament Diameter,um	17



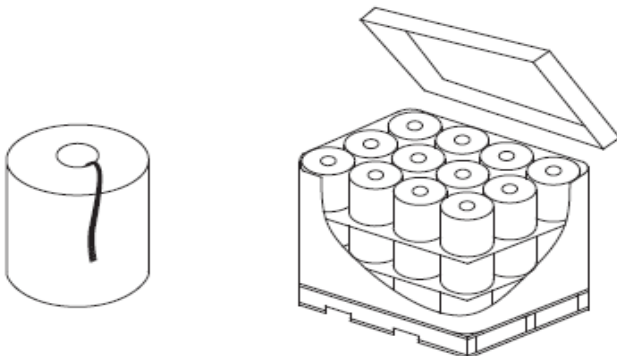
### Technical Parameters

Linear Density (%)	Moisture Content (%)	Sizing Content (%)
ISO 1889	ISO 3344	ISO 1887
±5	≤ 0.10	0.40 ± 0.15

### Storage

Unless otherwise specified, the fiberglass products should be stored in a dry, cool and moisture-proof area. The room temperature and humidity should be always maintained at 15℃~35℃ and 35% ~ 65%. It is best if the product is used within 12 months after production date. The fiberglass products should remain in their original packaging until just prior to user .

To ensure safety and avoid damage to the product, the pallets should not be stacked more than three layers high. When the pallets are stacked in 2 or 3 layers, special care should be taken to correctly and smoothly move the top pallet.



### Packaging

\* The product can be packed on pallet or in small cardboard boxes.

Package height mm (in)	260 (10)
Package inside diameter mm (in)	160 (6.3)
Package outside diameter mm (in)	290 (11.4)
Package weight kg (lb)	20.5 (45.1)

Number of layers	3	4
Number of doffs per layer	12	
Number of doffs per pallet	36	48
Net weight per pallet kg (in)	750 (1653.4)	1000 (2204.6)

Pallet length mm (in)	1120 (44)	
Pallet width mm (in)	1120 (44)	
Pallet height mm (in)	940 (37)	1180 (46.5)

## JUSHI GROUP CO., LTD.

Add: Tongxiang Economic Development Zone, Zhejiang 314500, PRC  
 Domestic Sales: +86-573-88181016 Fax:+86-573-88136222  
 Http://www.jushi.com E-mail:info@jushi.com

International Sales: +86-573-88181026  
 Customer Service: +86-573-88181017

版权所有: ©巨石集团有限公司 ®巨石集团有限公司注册商标  
 Fax:+86-573-88181058  
 Fax:+86-573-88181388